

User Guide

Excavator Forks



Product Information Overview

The Conquip Excavator Forks attachment is designed to enable an excavator to lift palletised material. This is especially useful if space is restricted and budget is limited, as it ensures you only need one machine on site.

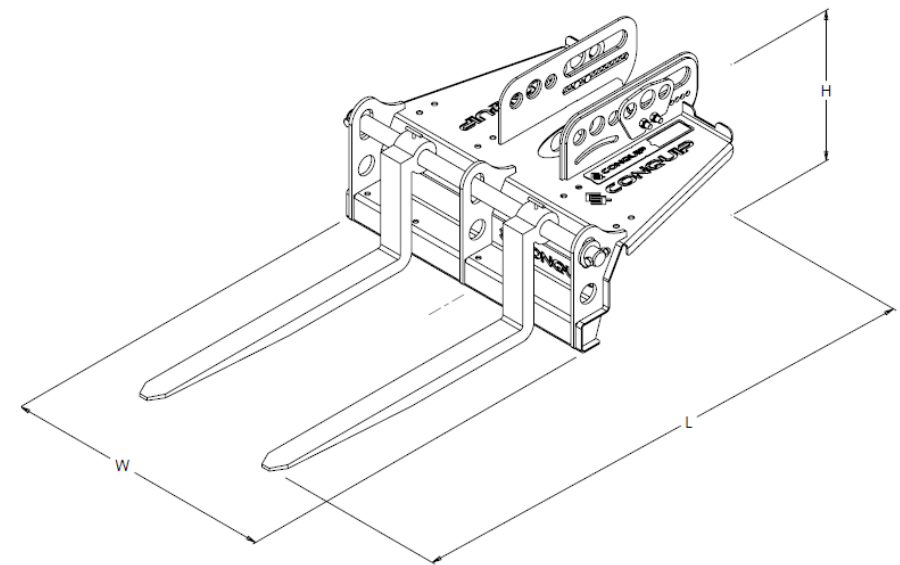
Available in three sizes, to suit excavators ranging from 5 to 50 tonnes

Key Benefits

- Quick and simple to attach, with adjustable pin centres and different pin sizes to suit any model of excavator quick hitch.
- ‘Floating’ forks allow for easier placement and easier lifting on uneven surfaces.
- Excavator Forks 1000 can be supplied with 45, 50 or 60mm pins to suit 5 to 9 tonne excavators.
- Excavator Forks 2000 can be supplied with 65 or 80mm pins to suit 13 to 22 tonne excavators.
- Excavator Forks 4000 can be supplied with 90, 100 or 110mm pins to suit 30 to 50 tonne excavators.
- Forks sit as a free standing unit, flat to the ground when unattached.
- Manufactured in the UK from British and EU steel.
- Can be supplied with anti-slide plate and backrest for extra load stability.

Product Information Specification

Item	Product Code
Excavator Forks 1000	EA010AL-01000
Excavator Forks 2000	EA010AL-02000
Excavator Forks 4000	EA010AO-04000

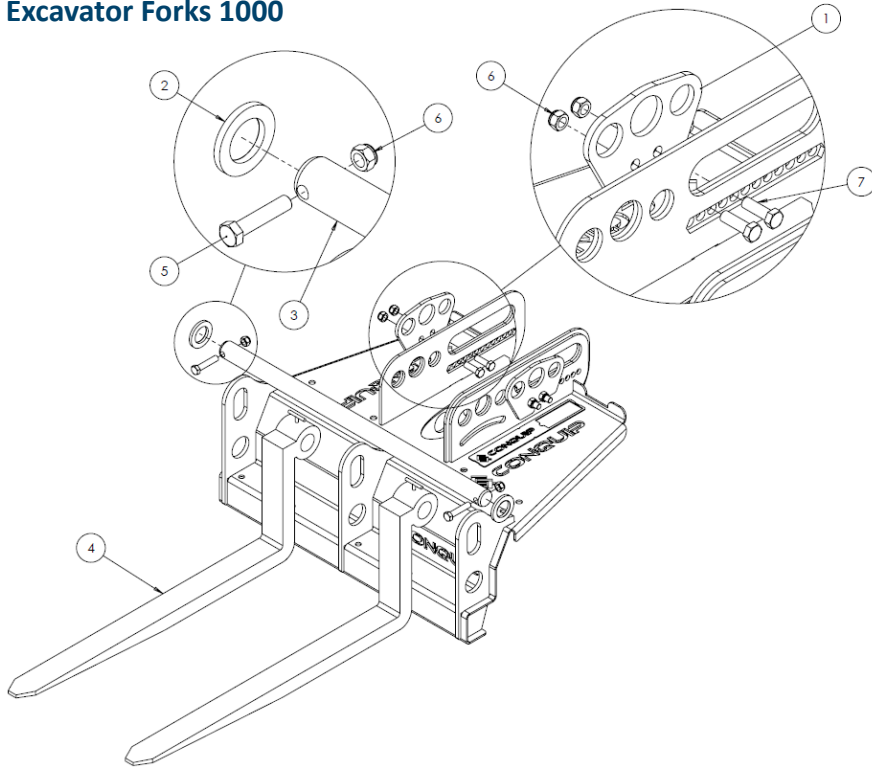


¹Working Load Limit

Product Code	Height	Width	Length	Weight	WLL ¹
EA010AL-01000	498mm	950mm	1866mm	180kg	1000kg
EA010AL-02000	584mm	1220mm	2092mm	330kg	2000kg
EA010AO-04000	752mm	1390mm	2385mm	525kg	4000kg

Product Information Parts Diagram

Excavator Forks 1000

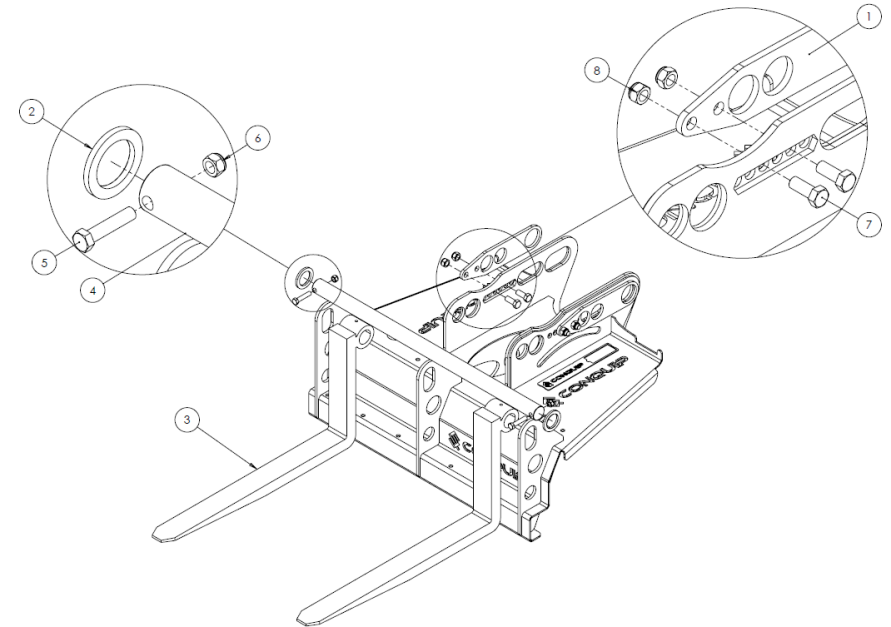


NOTE: These parts are for this model, they may differ for previous versions. Please contact Conquip with any queries.

Item Number	Part Number	Description	Quantity
1	ZZ130057	Adjustment Plate	2
2	ZZ960080	Fork Pin Washer	2
3	ZZ130063	50mm Fork Mount Bar	1
4	ZZ130062	Fork Tine	2
5	NS800852	M16 x 75 Hex Head Set Screw	2
6	NS800121	M16 Nyloc Nut	6
7	NS800853	M16 x 35 Hex Head Set Screw	4

Product Information Parts Diagram

Excavator Forks 2000

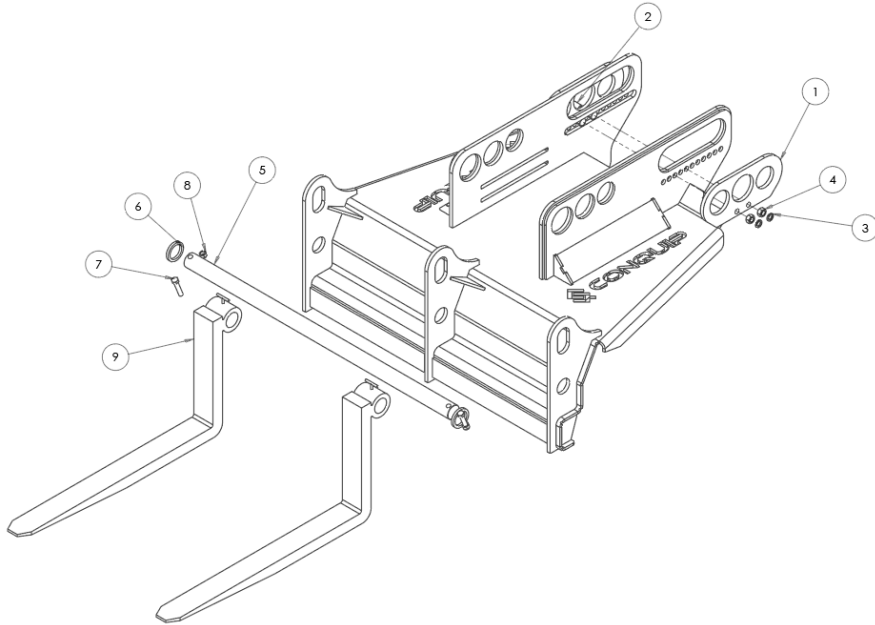


NOTE: These parts are for this model, they may differ for previous versions. Please contact Conquip with any queries.

Item Number	Part Number	Description	Quantity
1	ZZ130024	Adjust Plate	2
2	ZZ960090	Fork Pin Washer	2
3	ZZ130025	Fork Tine	2
4	ZZ130054	60mm Fork Mount Bar	1
5	NS800852	M16 x 75 Hex Head Set Screw	2
6	NS800121	M16 Nyloc Nut	2
7	NS800878	M20 x 50 Hex Head Set Screw	4
8	NS800841	M20 Nyloc Nut	4

Product Information Parts Diagram

Excavator Forks 4000



NOTE: These parts are for this model, they may differ for previous versions. Please contact Conquip with any queries.

Item Number	Part Number	Description	Quantity
1	ZZ130090	Pin Adjustment Plate	2
2	NS800878	M20x50 Hex Head Set Screw 8.8	4
3	NS800866	M20 Spring Washer	4
4	NS800280	M20 Full Nut	4
5	ZZ130088	60mm Fork Mounting Bar	1
6	ZZ960031	60mm Washer	2
7	NS800835	M16x80 Hex Head Bolt	2
8	NS800121	M16 Nyloc Nut	2
9	ZZ130025	Fork Tine	2

Original Working Instructions Usage Instructions

Important Usage Notes

- If there is a slinger / signaller they should not be positioned underneath the load and should remain visible to the driver.
- Operators should allow for any rough or sloping ground when assessing the method of operating.

Using with an Excavator

1. Select relevant size pins to match your machine's quick hitch.
2. Fit front pin to correct sized hole on the Excavator Forks.
3. Adjust the position of rear pin to suit the quick hitch- follow the quick hitch operating guidelines and set the pins to the maximum centres for the unit.
4. Ensure the quick hitch pins have the retaining bolts and washers and they are correctly fitted.
5. Check for debris in the quick hitch locking mechanism and check the fit of the unit on the quick hitch, do not use if not secure.
6. Adjust the fork width to suit the job by sliding the forks along the top bar. Position the forks in the widest practical position.
7. Tighten the fork tine retaining screws to fix the position. The forks on this unit are floating, pivoting around the top rail.
8. When lifting or setting down loads always operate the forks in a horizontal plane.
9. When traveling with a load keep it in the lowest practicable position and maintain driver visibility.
10. Once the Excavator Forks are no longer needed, lower to the ground and release from the quick hitch. The fork tine retaining screws can then be loosened and the fork tines lifted back over the body of the attachment to reduce the space required for storage.