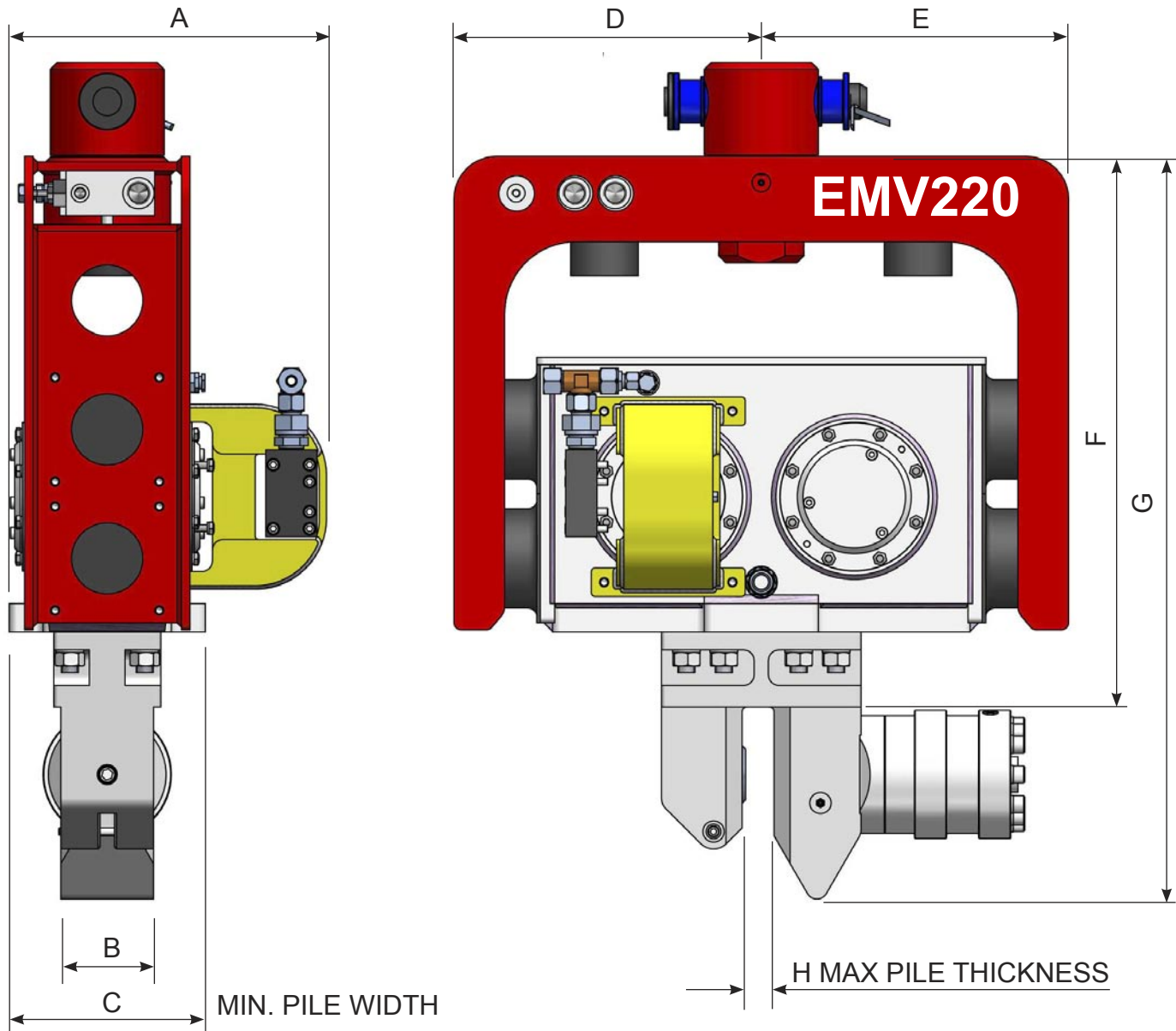
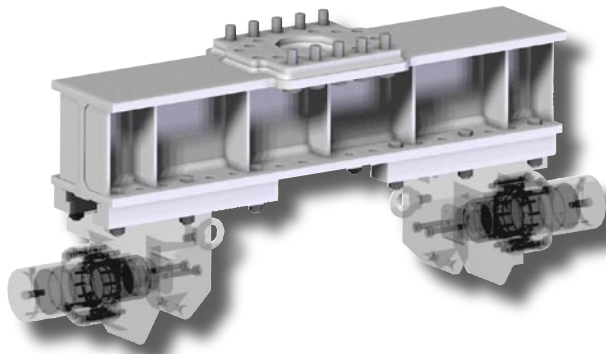


# EMV220 EXCAVATOR MOUNTED VIBRATOR BASIC TECHNICAL SPECIFICATIONS

SPECIFICATIONS	EMV220	
	METRIC	US
UNITS	METRIC	US
STATIC MOMENT	3.24 Kg.M	263 lbs.in
FREQUENCY	3,000 r.p.m	
CENTRIFUGAL FORCE	220 KN	50,236 lbs.F
AMPLITUDE	12 mm	0.45 ins
MIN. HYDRAULIC FLOW RATE	90 l/min	24 gpm
MAX. HYDRAULIC FLOW RATE	250 l/min	67 gpm
MAX. HYDRAULIC PRESSURE	350 bar	5,076 psi
MIN. HYDRAULIC POWER	42 KW	80 hp
DYNAMIC MASS	370 Kg	814 lbs
TOTAL MASS	525 Kg	1,155 lbs
MAX. PILE MASS	800 Kg	1,760 lbs
MAX. PUSH/PULL FORCE	7,500 Kg	16,500 lbs
CLAMP FORCE	26.5 Tonne	



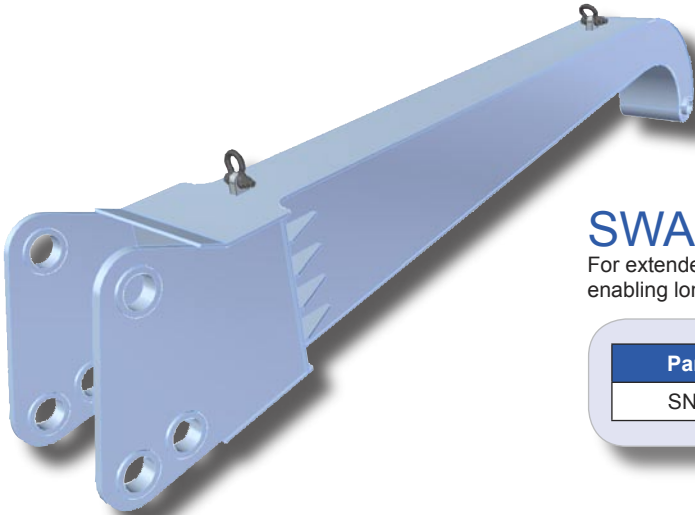
DIMENSIONS	A	B	C	D	E	F	G	H
mm	445	130	150	431	431	850	1120	40
ins	17.5	5.1	5.9	17	17	33.5	44	1.5



## CAISSON BEAM

Caisson beam jaw assemblies can be positioned to suit any tube size between Ø550 & Ø1100mm.

Part Number	Caisson Beam Assembly
4900	



## SWAN NECK

For extended reach and greater pile clearance on your excavator arm, enabling longer piles to be driven.

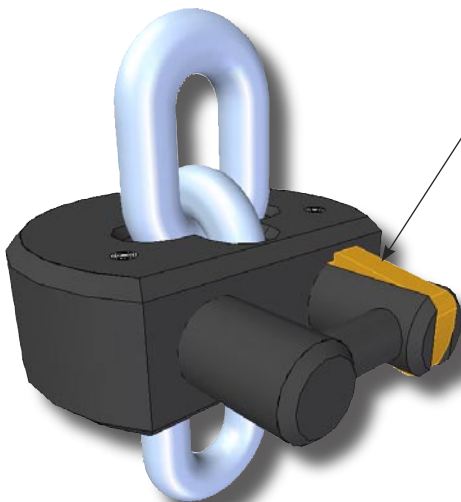
Part Number	Swan Neck
SN01-000-01	



## QUICK HITCH ADAPTOR

When an excavator has a guide hitch fitted and a double acting breaker to supply the EMV, the Dawson quick hitch adaptor bracket supplies fast, easy connection to the end equipment while maintaining the same degree of movement.

Part Number	Quick Hitch Adaptor
4586	



NEW ADDITIONAL SAFETY LATCH

## CHAIN CLAMP

For all lifting applications. The unit indexes along the links of the chain and locks into place giving a quick and simple chain lock for lifting.

### Features

- SWL of 2000kg for the 8mm chain clamp  
3200kg for the 10mm chain clamp
- Robust high strength steel body
- Designed to withstand vibration - no screws or bolts!
- Minimal parts for durability
- Proof loading to twice the safe working load
- Quick coupling and release from load

Part Number	Chain Type	Safe Working Load
TLR 360	10mm	3.2 Tonnes
4082	8mm	2 Tonnes