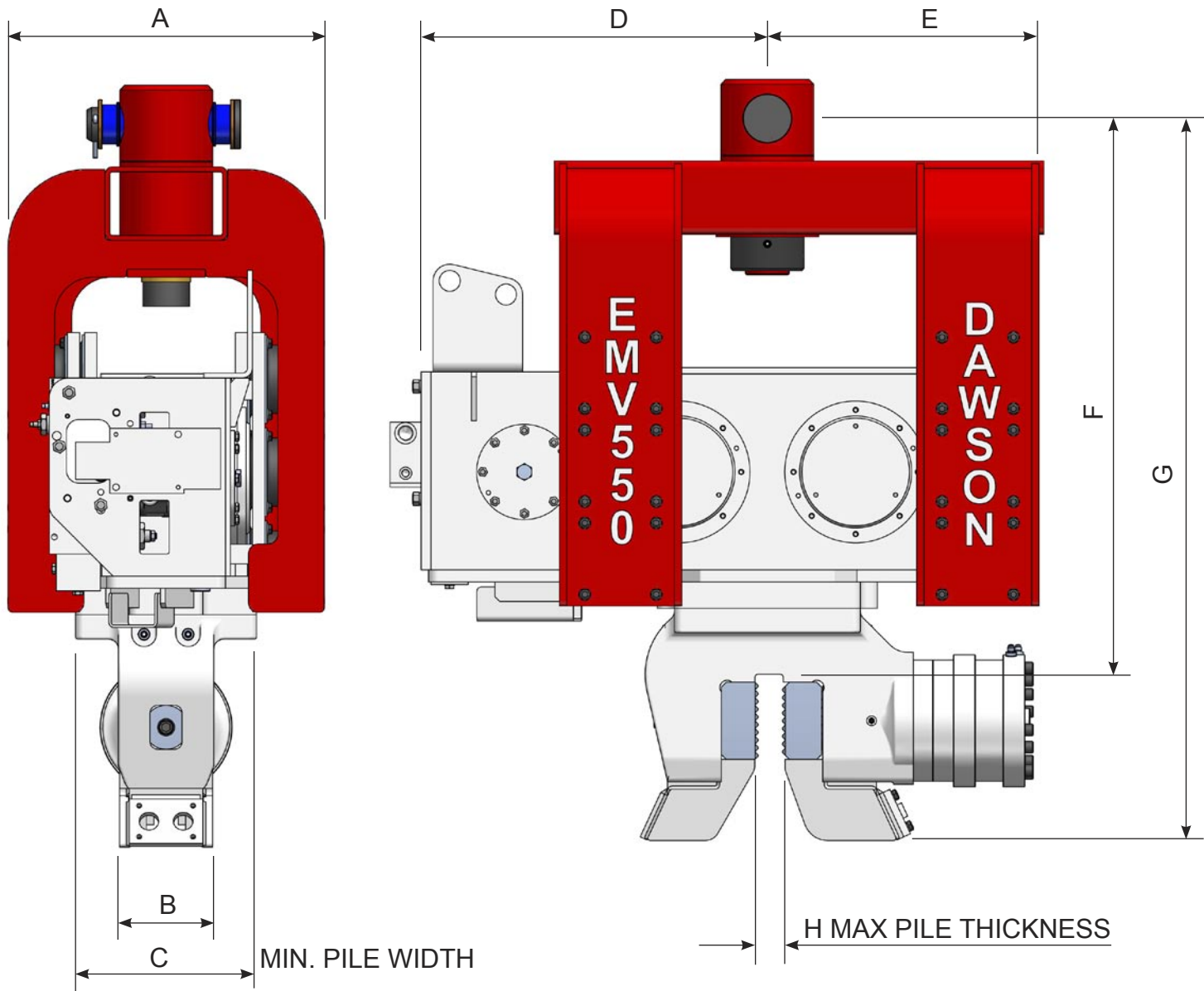
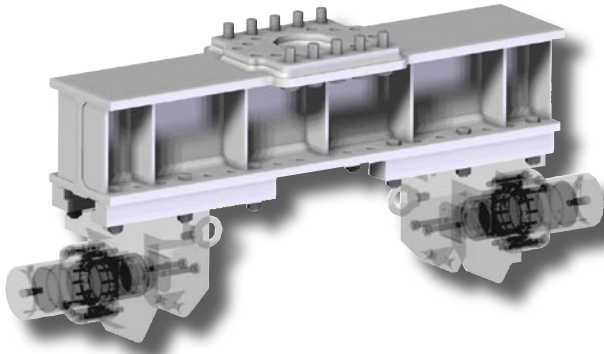


EMV550 EXCAVATOR MOUNTED VIBRATOR BASIC TECHNICAL SPECIFICATIONS

SPECIFICATIONS	EMV550	
UNITS	METRIC	US
STATIC MOMENT	8.3 Kg.M	674 lbs.in
FREQUENCY	2500 r.p.m	
CENTRIFUGAL FORCE	550 KN	125,592 lbs
AMPLITUDE	13 mm	0.51 ins
MIN. HYDRAULIC FLOW RATE	256 l/min	68 gpm
MAX. HYDRAULIC FLOW RATE	400 l/min	107 gpm
MAX. HYDRAULIC PRESSURE	350 bar	5,076 psi
MIN. HYDRAULIC POWER	120KW	160 hp
DYNAMIC MASS	1,150 Kg	2,576 lbs
TOTAL MASS	1,500 Kg	3,360 lbs
MAX. PILE MASS	1,400 Kg	3,136 lbs
MAX. PUSH/PULL FORCE	22,500 Kg	49,500 lbs
CLAMP FORCE	66 Tonne	



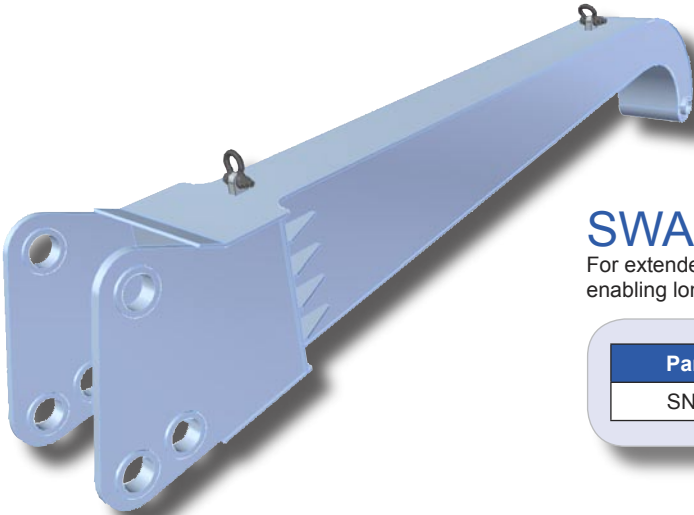
DIMENSIONS	A	B	C	D	E	F	G	H
mm	646	190	370	708	555	1137	1477	50
ins	25.4	7.48	14.5	27.9	21.85	44.8	58.2	1.97



CAISSON BEAM

Caisson beam jaw assemblies can be positioned to suit any tube size between Ø550 & Ø1100mm.

Part Number	Caisson Beam Assembly
4900	



SWAN NECK

For extended reach and greater pile clearance on your excavator arm, enabling longer piles to be driven.

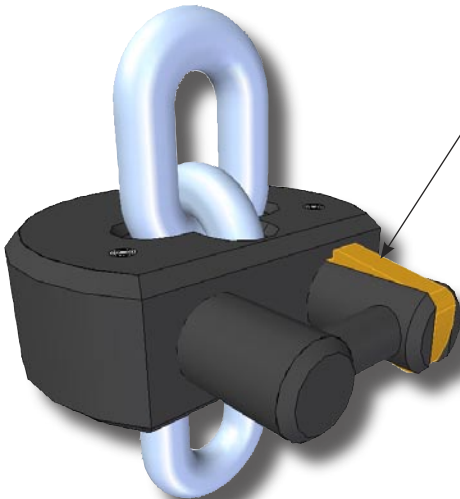
Part Number	Swan Neck
SN01-000-01	



QUICK HITCH ADAPTOR

When an excavator has a guide hitch fitted and a double acting breaker to supply the EMV, the Dawson quick hitch adaptor bracket supplies fast, easy connection to the end equipment while maintaining the same degree of movement.

Part Number	Quick Hitch Adaptor
4586	



NEW ADDITIONAL SAFETY LATCH

CHAIN CLAMP

For all lifting applications. The unit indexes along the links of the chain and locks into place giving a quick and simple chain lock for lifting.

Features

- SWL of 2000kg for the 8mm chain clamp
3200kg for the 10mm chain clamp
- Robust high strength steel body
- Designed to withstand vibration - no screws or bolts!
- Minimal parts for durability
- Proof loading to twice the safe working load
- Quick coupling and release from load

Part Number	Chain Type	Safe Working Load
TLR 360	10mm	3.2 Tonnes
4082	8mm	2 Tonnes