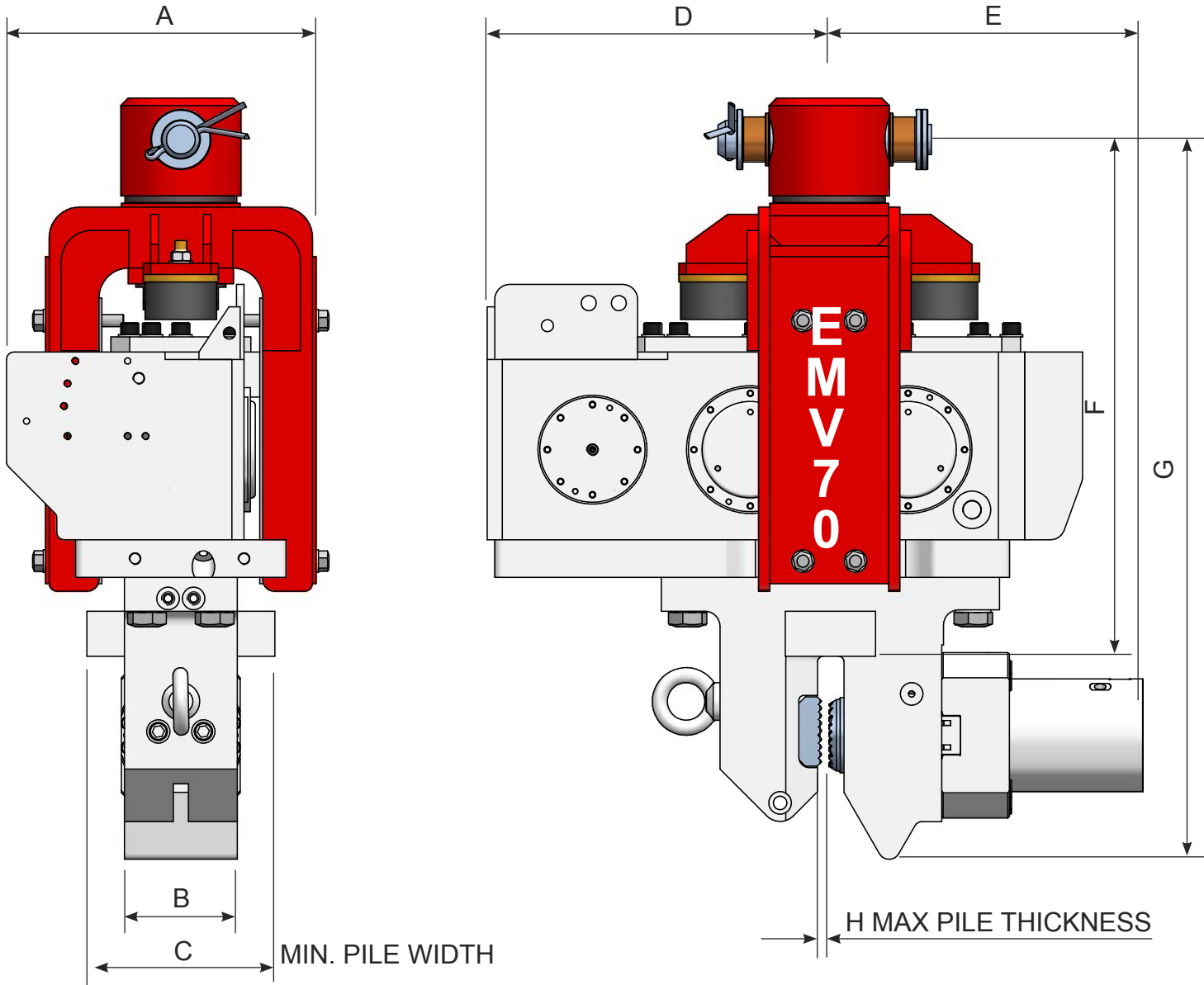
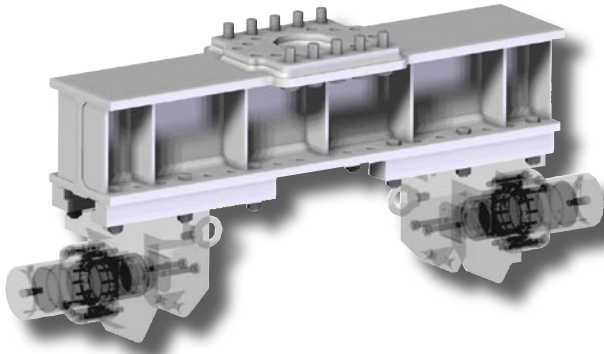


# EMV70 EXCAVATOR MOUNTED VIBRATOR BASIC TECHNICAL SPECIFICATIONS

SPECIFICATIONS	EMV70	
UNITS	METRIC	US
STATIC MOMENT	0.7 Kg.M	60 lbs.in
FREQUENCY	3,000 r.p.m	
CENTRIFUGAL FORCE	70 KN	15,730 lbs.F
AMPLITUDE	3.4 mm	0.134 ins
MIN. HYDRAULIC FLOW RATE	30 l/min	8 gpm
MAX. HYDRAULIC FLOW RATE	120 l/min	32 gpm
MAX. HYDRAULIC PRESSURE	350 bar	5,076 psi
MIN. HYDRAULIC POWER	12 KW	16 hp
DYNAMIC MASS	410 Kg	900 lbs
TOTAL MASS	520 Kg	1,150 lbs
MAX. PILE MASS	800 Kg	1,760 lbs
MAX. PUSH/PULL FORCE	2,800 Kg	6,171 lbs
CLAMP FORCE	30 Tonne	



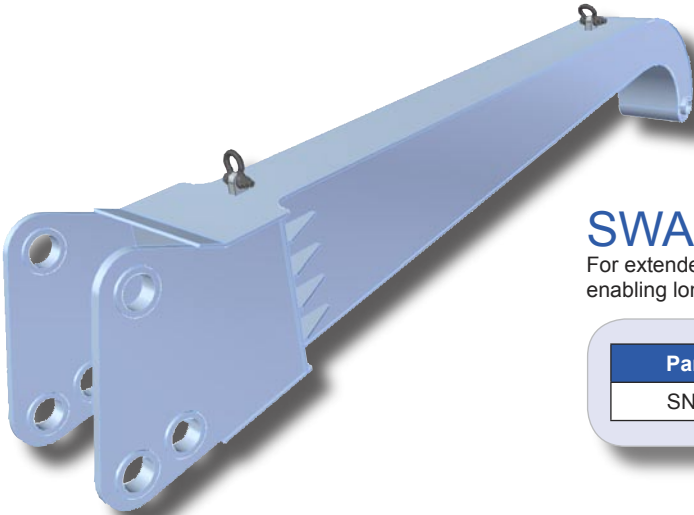
DIMENSIONS	A	B	C	D	E	F	G	H
mm	360	150	250	455	340	672	942	25
ins	14.2	6	10	18	13.4	26.5	37	1



## CAISSON BEAM

Caisson beam jaw assemblies can be positioned to suit any tube size between Ø550 & Ø1100mm.

Part Number	Caisson Beam Assembly
4900	



## SWAN NECK

For extended reach and greater pile clearance on your excavator arm, enabling longer piles to be driven.

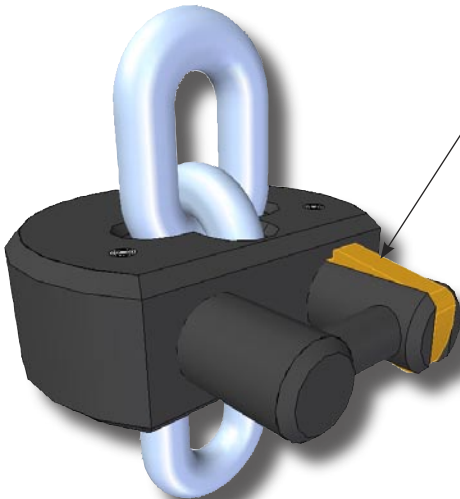
Part Number	Swan Neck
SN01-000-01	



## QUICK HITCH ADAPTOR

When an excavator has a guide hitch fitted and a double acting breaker to supply the EMV, the Dawson quick hitch adaptor bracket supplies fast, easy connection to the end equipment while maintaining the same degree of movement.

Part Number	Quick Hitch Adaptor
4586	



NEW ADDITIONAL SAFETY LATCH

## CHAIN CLAMP

For all lifting applications. The unit indexes along the links of the chain and locks into place giving a quick and simple chain lock for lifting.

### Features

- SWL of 2000kg for the 8mm chain clamp  
3200kg for the 10mm chain clamp
- Robust high strength steel body
- Designed to withstand vibration - no screws or bolts!
- Minimal parts for durability
- Proof loading to twice the safe working load
- Quick coupling and release from load

Part Number	Chain Type	Safe Working Load
TLR 360	10mm	3.2 Tonnes
4082	8mm	2 Tonnes