



TRY OUR NEW  
**PRODUCT  
SELECTION  
APP**



## A Customer-Driven Global Company

Established in Europe in 1998, Auger Torque has created a new standard in the Earth Drill and Trencher Attachment market by putting you, the customer, at the centre of everything we do.

In 2005, after surveying the market carefully, we released a new range of innovative products, designed to provide unrivalled reliability and cost effective operation.

Auger Torque is proud to have become part of the Kinshofer Group of companies in 2015. With the backing of the German attachments giant Auger Torque has since enjoyed even greater growth in all areas of its business operations.

Auger Torque's five manufacturing bases around the globe are busy satisfying the ever-growing demand for high-quality products in over seventy countries and on all seven continents.

**Auger Torque - A manufacturing company with Global distribution and dealer networks.**



Auger Torque Europe



Auger Torque China



Auger Torque Australia



# X1500 Earth Drill

## MINI EXCAVATORS 1 - 2 T

**S4 AUGERS**  
100mm-400mm Dia

Torque Range: 511-1,496 Nm  
Oil Pressure Range: 70-205 Bar

Oil Flow Range: 20-45 lpm  
Speed Range: 44-98 rpm

Unit Height: 585 mm  
Unit Diameter: 200 mm  
Unit Weight: 46 kg

Hitch Options: Single Pin Hitch  
Double Pin Hitch  
Cradle Hitch

Output Shaft: 65mm Round  
(Output Shaft adaptors available)



65mm Round

Double Pin Cradle Hitch



# X2000 Earth Drill

## MINI EXCAVATORS 1 - 2.5 T

**S4 AUGERS**  
100mm-450mm Dia

Torque Range: 639-2,190 Nm  
Oil Pressure Range: 70-240 Bar

Oil Flow Range: 25-57 lpm  
Speed Range: 43-99 rpm

Unit Height: 585 mm  
Unit Diameter: 200 mm  
Unit Weight: 47 kg

Hitch Options: Single Pin Hitch  
Double Pin Hitch  
Cradle Hitch

Output Shaft: 65mm Round  
(Output Shaft adaptors available)



65mm Round

Double Pin Cradle Hitch



# X2500 Earth Drill

## MINI EXCAVATORS 1.5 - 3 T

**S4 AUGERS**  
100mm-500mm Dia

Torque Range: 830-2,847 Nm  
Oil Pressure Range: 70-240 Bar

Oil Flow Range: 27-65 lpm  
Speed Range: 36-87 rpm

Unit Height: 585 mm  
Unit Diameter: 200 mm  
Unit Weight: 48 kg

Hitch Options: Single Pin Hitch  
Double Pin Hitch  
Cradle Hitch

Output Shaft: 65mm Round  
(Output Shaft adaptors available)



65mm Round

Double Pin Cradle Hitch



# 3000 Earth Drill MAX

## MINI EXCAVATORS 2 - 4 T

**S4 AUGERS**  
100mm-600mm Dia

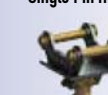
Torque Range: 959-2,877 Nm  
Oil Pressure Range: 80-240 Bar

Oil Flow Range: 27-75 lpm  
Speed Range: 36-100 rpm

Unit Height: 665 mm  
Unit Diameter: 244 mm  
Unit Weight: 71 kg

Hitch Options: Single Pin Hitch  
Double Pin Hitch  
Cradle Hitch

Output Shaft: 65mm Round  
(Output Shaft adaptors available)



65mm Round

Double Pin Cradle Hitch

### GUIDE TO DRILLING PERFORMANCE\*

AUGER DIA (mm)	DRILLING DEPTH IN METRES**		
	SOFT	MEDIUM	HARD
100	2M	1.8M	1.6M
150	2M	1.8M	1.6M
200	1.8M	1.6M	1.4M
225	1.8M	1.6M	1.4M
250	1.5M	1.4M	1.3M
300	1.5M	1.4M	1.3M
350	1.5M	1.4M	1.3M
400	1.2M	1.1M	1M

### GUIDE TO DRILLING PERFORMANCE\*

AUGER DIA (mm)	DRILLING DEPTH IN METRES**		
	SOFT	MEDIUM	HARD
100	2.2M	2M	1.8M
150			
200			
225			
250	↓	↓	↓
300	2.2M	2M	1.8M
350	2M	1.8M	1.6M
400	1.5M	1.4M	1.3M
450	1.2M	1.1M	1M

### GUIDE TO DRILLING PERFORMANCE\*

AUGER DIA (mm)	DRILLING DEPTH IN METRES**		
	SOFT	MEDIUM	HARD
100	2.5M	2.3M	2.1M
150			
200			
225			
250	↓	↓	↓
300	2.5M	2.3M	2.1M
350	2.3M	2.1M	1.9M
400	1.9M	1.7M	1.5M
450	1.7M	1.5M	1.4M
500	1.5M	1.4M	1.3M

### GUIDE TO DRILLING PERFORMANCE\*

AUGER DIA (mm)	DRILLING DEPTH IN METRES**		
	SOFT	MEDIUM	HARD
100	3M	2.7M	2.4M
150			
200			
225			
250			
300			
350	↓	↓	↓
400	3M	2.7M	2.4M
450	2.6M	2.3M	2.1M
500	2.3M	2.1M	1.9M
600	1.8M	1.6M	1.4M

\*These charts have been created as a guide only. Actual performance figures may differ.

\*\* The data shown has been obtained, by Auger Torque, in a controlled environment. Auger Torque cannot guarantee that this environment can be replicated and as such cannot accept liability if these figures cannot be achieved.

\*\*\*Any data or specification contained within this documentation may be subject to change without prior notification.

For further information please contact your authorised Auger Torque distributor.

# AUGERS

## Features of our Augers

### HUB OPTIONS

Augers are available with all major standard hubs on the market, including:  
2", 2.5", 3" and 4" Hex  
50mm, 2" and 65mm Round  
57mm, 75mm, 100mm, 110mm and 130mm Square ...to name but a few.

### HEAVY DUTY TUBE

We know that our Augers can expect a tough life so we only use the highest grade steel and vary our tube size according to machine size and application. Our Augers have a reputation of being the toughest on the market.

### SHALLOW PITCH FLIGHTS

By working with and, more importantly, listening to operators feedback we have developed the perfect pitch for our flights. It will cut at its maximum efficiency and, most importantly the spoil will stay on your Auger when you remove it from the hole.

### **SHOCK LOCK™** Tooth Locking System

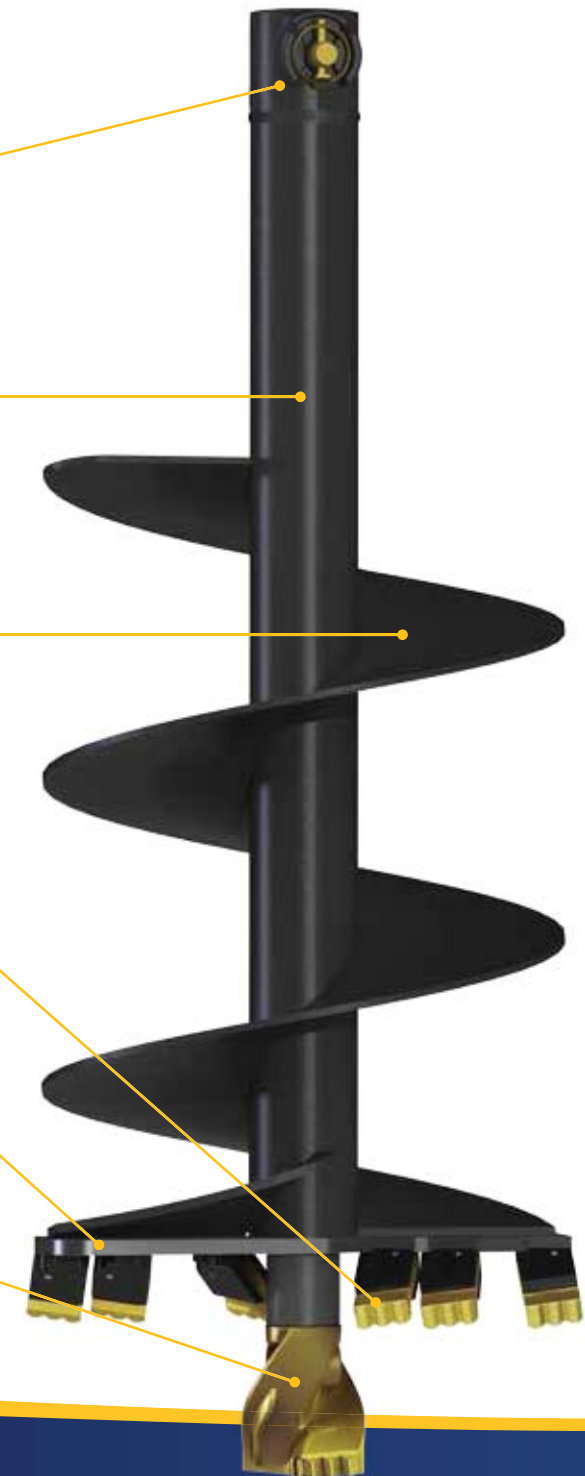
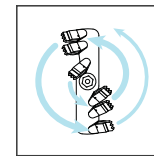
Are you tired of losing your teeth down the hole? With our patented **Shock Lock™** Tooth Locking System loss is now a thing of the past. The simple but effective locking pin holds teeth secure in both directions.

### CONSTANT SPIRAL CUT

Our boring heads are designed with a Constant Spiral Cut. Teeth are located so that each makes its own fresh cut on every revolution and are angled to direct spoil towards the centre of the auger. The tooth cutting angle ensures spoil is broken up thoroughly to avoid any clogging.

### PILOT AND TOOTH OPTIONS

Auger Torque Augers are offered with many different tooth and pilot options to suit your specific need. For example in the S4 range we offer up to eight different combinations and we have the know-how to help you select the optimal configuration.

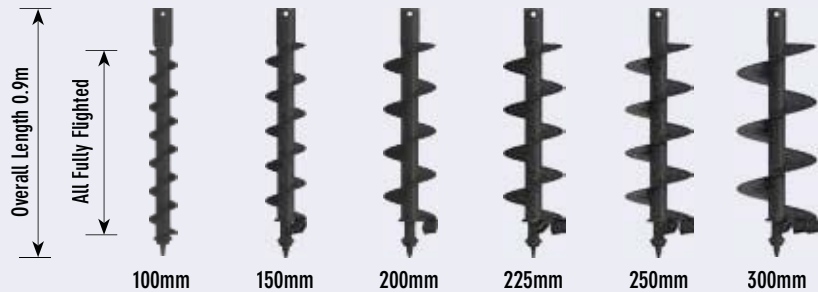


# S2 AUGERS

## MICRO EXCAVATORS 0.75 - 1 T

With our patented **Shock Lock™** Tooth Locking System tooth loss is now a thing of the past. Using the **Shock Lock™** pin and rubber in our unique **Shock Lock™** tooth holders ensures your Auger teeth are safely locked in place and protected against shock fractures.

Replacing worn teeth is a breeze with this system, simply knock out the old pin with a standard hole punch and the tooth will slide out of the holder with ease. Acclaimed as the best system on the market you will never need to worry about fitting spare teeth due to losing them again.



### HUB OPTIONS



50mm  
Round

Stihl  
Attachments

### EARTH WEAR PARTS



S2/4  
Earth Pilot  
33-9203-KIT

S2/4 Shock Lock™  
Earth Tooth  
33-9121-KIT

### TUNGSTEN WEAR PARTS



S2/4  
Tungsten Pilot  
33-9204-KIT

S2/4 Shock Lock™  
Tungsten Tooth  
33-9122-KIT

### EXTRAS



Pin & Clip  
50 Round  
42-1055-KIT

S1/2/4 Shock Lock™  
Tooth Holder  
33-1010

### WEAR PARTS FOR GROUND CONDITIONS

#### EARTH (Shock Lock™)

Best suited to soft grounds like earth and clay.

#### TUNGSTEN (Shock Lock™)

Best used in dry, hard or medium ground conditions where floating rocks may be encountered. The perfect all-rounder if you are not sure about what you might encounter.



# S4 AUGERS

**MINI EXCAVATORS 1 - 5 T, MINI LOADERS,  
SKIDSTEER LOADERS UP TO 80HP AND  
TRUCK CRANES UP TO 9 T / METRE**

## STANDARD HUB OPTION



65mm  
Round

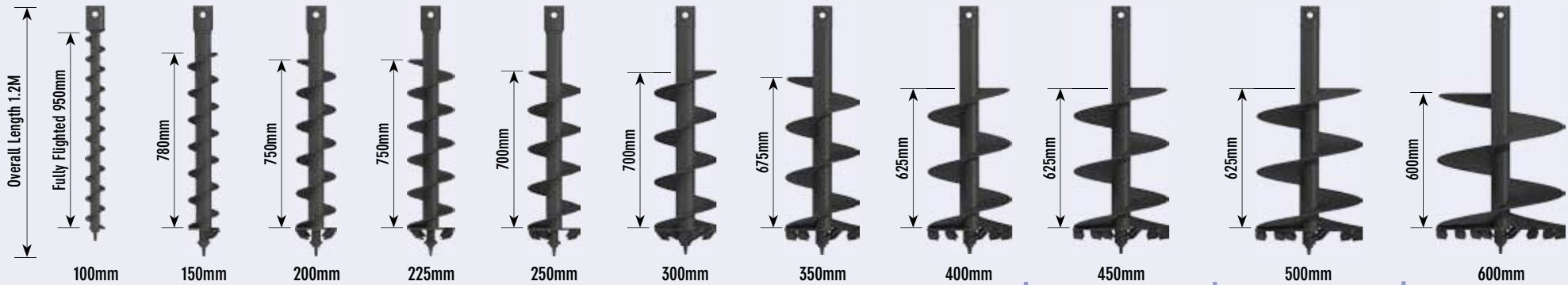
# SHOCK LOCK™ Tooth Locking System

**DON'T LEAVE  
YOUR TEETH  
DOWN THE  
HOLE!**



With our patented **Shock Lock™** Tooth Locking System tooth loss is now a thing of the past. Using the **Shock Lock™** pin and rubber insert in our unique **Shock Lock™** tooth holders ensures your Auger teeth are safely locked in place and protected against shock fractures.

Replacing worn teeth is a breeze with this system, simply knock out the old pin with a standard hole punch and the tooth will slide out of the holder with ease. Acclaimed as the best system on the market you will never need to worry about fitting spare teeth due to loss again.



Earth Drill **X1500**  
Earth Drill **ML1500**

Earth Drill **X2000**  
Earth Drill **ML2000**

Earth Drill **X2500**  
Earth Drill **ML2500**

Earth Drill **3000MAX**  
Earth Drill **3000TC**

Earth Drill **3500MAX**

Earth Drill **4500MAX**

## EARTH WEAR PARTS



S2/4  
Earth Pilot  
33-9203-KIT

S2/4 Shock Lock™  
Earth Tooth  
33-9121-KIT

## TUNGSTEN WEAR PARTS



S4  
Tungsten Pilot  
33-9204-KIT

S4  
Extra Dig Pilot  
33-9212-KIT

S4 Shock Lock™  
Tungsten Tooth  
33-9122-KIT

## EXTRAS

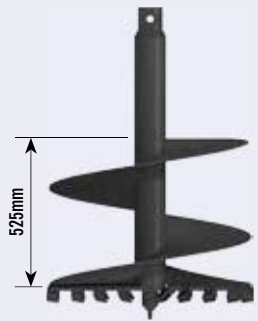


Pin & Clip  
65 Round  
30-0004-KIT

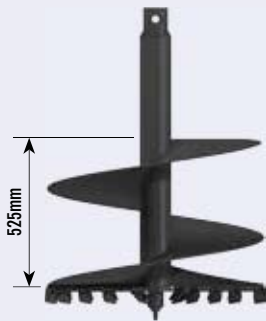
S1/2/4 Shock Lock™  
Tooth Holder  
33-1010

S4 Pilot  
Extension  
33-4106-KIT

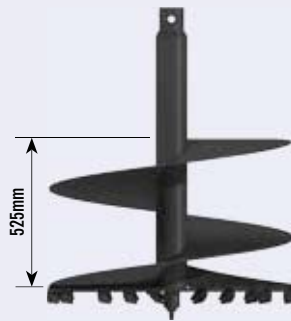
S4 Drive Lugs  
33-4102  
33-4105  
33-4110



750mm



800mm

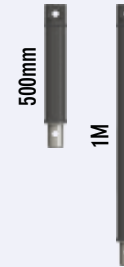


900mm

All the Augers above are shown with  
**Shock Lock™** Tooth Holders.

\* Overall Length given includes the  
auger fitted with wear parts.

## S4 EXTENSIONS



## WEAR PARTS REQUIRED FOR GROUND CONDITIONS

### EARTH (Shock Lock™)

Best suited to soft grounds like earth and clay.

### TUNGSTEN (Shock Lock™)

Best used in dry, hard or medium ground conditions where floating rocks may be encountered. The perfect all-rounder if you are not sure about what you might encounter.

### EXTRA DIG PILOT

A stronger Pilot for more demanding ground conditions.

OTHER  
DIAMETERS  
AVAILABLE ON  
REQUEST

# Alignment Monitor

**Perfect for Auger and Screw Pile applications, the Auger Torque Alignment Monitor is the essential tool for ensuring your application is precise and quick.**

Not restricted to parent machine size, the Alignment Monitor is easy to install. With universal mounting of both the alignment sensor and user display, the sensor is fixed to the top of your existing earth drill. The bright colour display is mounted inside the operators cab in a convenient location. Plug the power lead into the 12/24V power socket, and you're good to go.

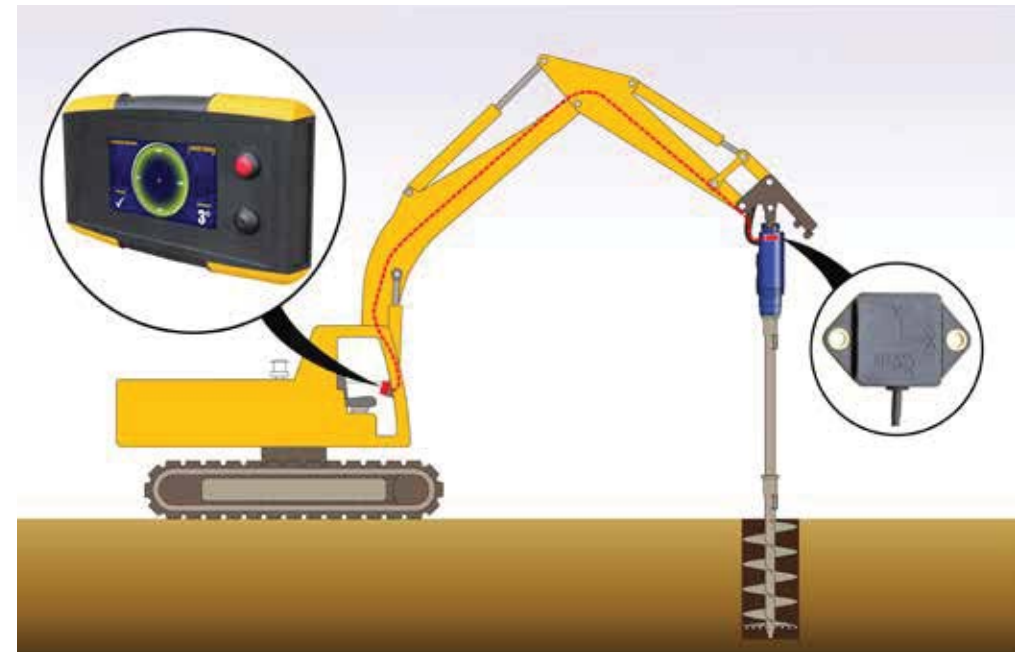
The Alignment Monitor has 4 sensitivity settings from 1 to 5° increments, allowing you to adjust to suit the application.

Now that the operator can see the alignment in all directions, there is no need for additional operatives. Perfectly aligned installations are now a one man operation.



## **FEATURES**

- Plug and play capability
- Alignment display easily installed in operator cab
- A compact, bright colour interface
- Alignment sensor fits to your existing earth drill
- Sensitivity adjustment to suit the application
- IP54 rated - suitable for use in all weathers
- 12-24V operating range
- One man operation







**YOUR NEAREST DEALER IS**

**Auger Torque Europe Region**

**Auger Torque Europe Ltd**

Cheltenham - United Kingdom

Phone: +44 (0)1451 861 652 Fax: +44 (0)1451 861 660

Email: [sales@augertorque.com](mailto:sales@augertorque.com)

Products and specifications subject to change without prior notice.  
Some products may not be available in your country or region.  
AUGER TORQUE, SHOCK LOCK™, NDS™ and the AUGER TORQUE LOGO are trademarks of Auger Torque Europe Ltd © 2017 Auger Torque Europe Ltd. All Rights Reserved.

