



TRY OUR NEW
**PRODUCT
SELECTION
APP**



A Customer-Driven Global Company

Established in Europe in 1998, Auger Torque has created a new standard in the Earth Drill and Trencher Attachment market by putting you, the customer, at the centre of everything we do.

In 2005, after surveying the market carefully, we released a new range of innovative products, designed to provide unrivalled reliability and cost effective operation.

Auger Torque is proud to have become part of the Kinshofer Group of companies in 2015. With the backing of the German attachments giant Auger Torque has since enjoyed even greater growth in all areas of its business operations.

Auger Torque's five manufacturing bases around the globe are busy satisfying the ever-growing demand for high-quality products in over seventy countries and on all seven continents.

Auger Torque - A manufacturing company with Global distribution and dealer networks.



Auger Torque Europe



Auger Torque China



Auger Torque Australia



EXCAVATORS 4.5 - 6 T

S5 AUGERS 150mm-750mm Dia

Torque Range: 1,685-5,477 Nm
 Oil Pressure Range: 80-260 Bar
 Oil Flow Range: 40-115 lpm
 Speed Range: 30-87 rpm
 Unit Height: 780mm
 Unit Diameter: 269mm
 Unit Weight: 108 kg

Hitch Options: Single Pin Hitch
 Double Pin Hitch
 Cradle Hitch

Optional Extras: 2 Way Valve

Output Shaft Std: 75mm Square
 (Output Shaft adaptors available)



Double Pin Hitch



Cradle Hitch



Single Pin Hitch

GUIDE TO DRILLING PERFORMANCE*

AUGER DIA (mm)	DRILLING DEPTH IN METRES**		
	SOFT	MEDIUM	HARD
150	4M	3.6M	3.2M
200			
225			
250			
300			
350			
400			
450			
500			
600	4M	3.6M	3.2M
750	3M	2.7M	2.4M



75mm Square



2 Way Valve
 Converts single acting hammer circuit into 2 Way auxiliary flow



EXCAVATORS 5 - 7 T BACKHOES

S5 AUGERS 150mm-900mm Dia

Torque Range: 2,133-6,931 Nm
 Oil Pressure Range: 80-260 Bar
 Oil Flow Range: 60-135 lpm
 Speed Range: 36-81 rpm

Unit Height: 780mm
 Unit Diameter: 269mm
 Unit Weight: 112 kg

Hitch Options: Single Pin Hitch
 Double Pin Hitch
 Cradle Hitch

Optional Extras: 2 Way Valve

Output Shaft Std: 75mm Square
 (Output Shaft adaptors available)



Double Pin Hitch



Cradle Hitch



Single Pin Hitch

GUIDE TO DRILLING PERFORMANCE*

AUGER DIA (mm)	DRILLING DEPTH IN METRES**		
	SOFT	MEDIUM	HARD
150	5M	4.5M	4.1M
200			
225			
250			
300			
350			
400			
450			
500	5M	4.5M	4.1M
600	4M	3.6M	3.2M
750	3.5M	3.2M	2.9M
800	3M	2.7M	2.4M
900	2.5M	2.3M	2.1M



75mm Square



2 Way Valve
 Converts single acting hammer circuit into 2 Way auxiliary flow



EXCAVATORS 6 - 8 T BACKHOES

S5 AUGERS 150mm-1.2M Dia

Torque Range: 2,717-8,152 Nm
 Oil Pressure Range: 80-240 Bar
 Oil Flow Range: 70-150 lpm
 Speed Range: 33-70 rpm

Unit Height: 780mm
 Unit Diameter: 269mm
 Unit Weight: 116 kg

Hitch Options: Single Pin Hitch
 Double Pin Hitch
 Cradle Hitch

Optional Extras: 2 Way Valve

Output Shaft Std: 75mm Square
 (Output Shaft adaptors available)



Double Pin Hitch



Cradle Hitch



Single Pin Hitch

GUIDE TO DRILLING PERFORMANCE*

AUGER DIA (mm)	DRILLING DEPTH IN METRES**		
	SOFT	MEDIUM	HARD
150	6M	5.4M	4.9M
200			
225			
250			
300			
350			
400	6M	5.4M	4.9M
450	5M	4.5M	4.1M
500	5M	4.5M	4.1M
600	5M	4.5M	4.1M
750	4M	3.6M	3.2M
800	4M	3.6M	3.2M
900	3.5M	3.2M	2.9M
1000	3.5M	3.2M	2.9M
1200	3M	2.7M	2.4M



75mm Square



2 Way Valve
 Converts single acting hammer circuit into 2 Way auxiliary flow

*These charts have been created as a guide only. Actual performance figures may differ.

** The data shown has been obtained, by Auger Torque, in a controlled environment. Auger Torque cannot guarantee that this environment can be replicated and as such cannot accept liability if these figures cannot be achieved.

***Any data or specification contained within this documentation may be subject to change without prior notification.

For further information please contact your authorised Auger Torque distributor.



AUGER SUMMARY

Full technical details of Augers, Extensions and Wear Parts can be found in the Auger section of this brochure.

S5 AUGERS

Auger Torque S5 Augers feature extra long flighted sections of shallow pitch flights. **Earth, Tungsten and Rock** variations are available.

Available in the following diameters:

150mm	350mm	750mm
200mm	400mm	800mm
225mm	450mm	900mm
250mm	500mm	1M
300mm	600mm	1.2M

S5 EXTENSIONS

Available in the following lengths:

1M 1.5M
2M

S5 TELESCOPIC

Available in the following lengths:

1.5M 2M



SHOWN:
S5 150mm Dia,
1.5M Length
Shock Lock™
Rock Augers are
also available.

SHOWN:
S5 1M Dia,
1.5M Length
Shock Lock™
Rock Augers are
also available.

SHOWN:
S5 1.5M Extension
S5 1.5M Telescopic

EXTRA-LONG
FLIGHT
LENGTHS

SHALLOW
PITCH
FLIGHTS

SHOCK LOCK™
Tooth Locking System

DON'T LEAVE YOUR TEETH
DOWN THE HOLE!



UNIQUE

Augers shown feature
Shock Lock™ Toothholders.
Rock Teeth Augers are also
available.

AUGERS

Features of our Augers

HUB OPTIONS

Augers are available with all major standard hubs on the market, including:
2", 2.5", 3" and 4" Hex
50mm, 2" and 65mm Round
57mm, 75mm, 100mm, 110mm and 130mm Square ...to name but a few.

HEAVY DUTY TUBE

We know that our Augers can expect a tough life so we only use the highest grade steel and vary our tube size according to machine size and application. Our Augers have a reputation of being the toughest on the market.

SHALLOW PITCH FLIGHTS

By working with and, more importantly, listening to operators feedback we have developed the perfect pitch for our flights. It will cut at its maximum efficiency and, most importantly the spoil will stay on your Auger when you remove it from the hole.

SHOCK LOCK™ Tooth Locking System

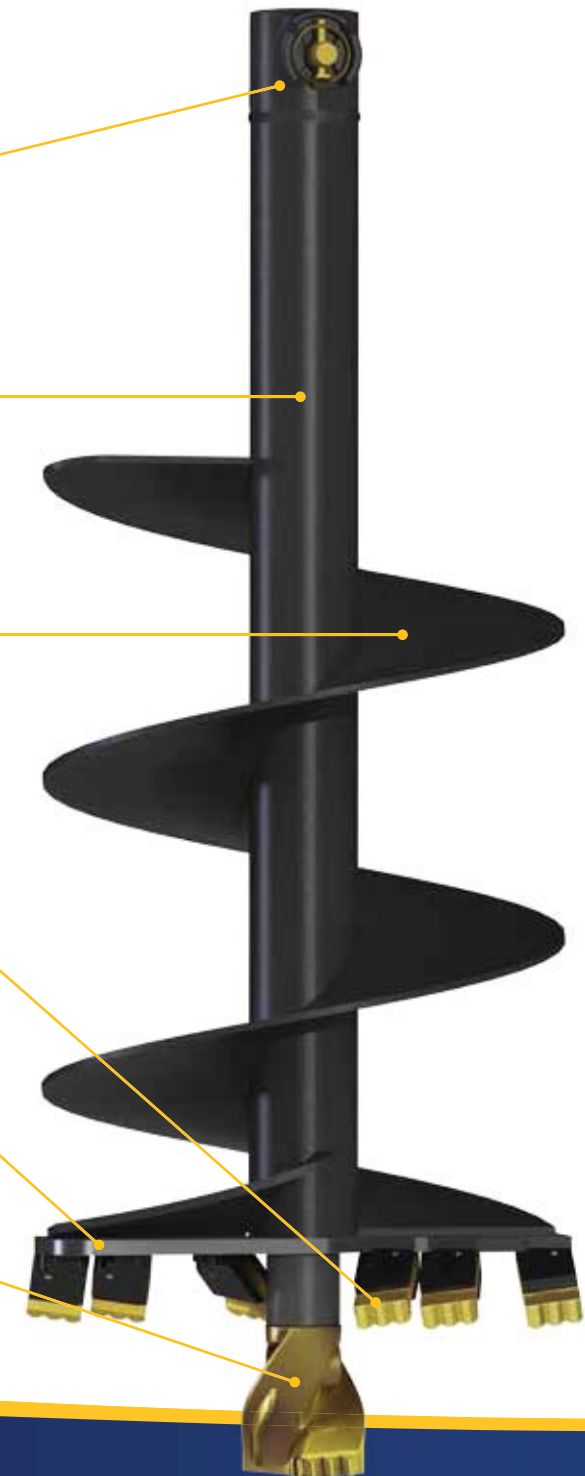
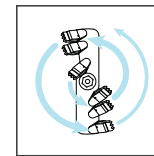
Are you tired of losing your teeth down the hole? With our patented **Shock Lock™** Tooth Locking System loss is now a thing of the past. The simple but effective locking pin holds teeth secure in both directions.

CONSTANT SPIRAL CUT

Our boring heads are designed with a Constant Spiral Cut. Teeth are located so that each makes its own fresh cut on every revolution and are angled to direct spoil towards the centre of the auger. The tooth cutting angle ensures spoil is broken up thoroughly to avoid any clogging.

PILOT AND TOOTH OPTIONS

Auger Torque Augers are offered with many different tooth and pilot options to suit your specific need. For example in the S4 range we offer up to eight different combinations and we have the know-how to help you select the optimal configuration.



S5 AUGERS

EXCAVATORS FROM 4.5 - 8 T, TELEHANDLERS,
HIGH FLOW SKIDSTEER LOADERS, BACKHOES
AND TRUCK CRANES FROM 9 - 18 T / METRE

STANDARD HUB OPTION



75mm
Square

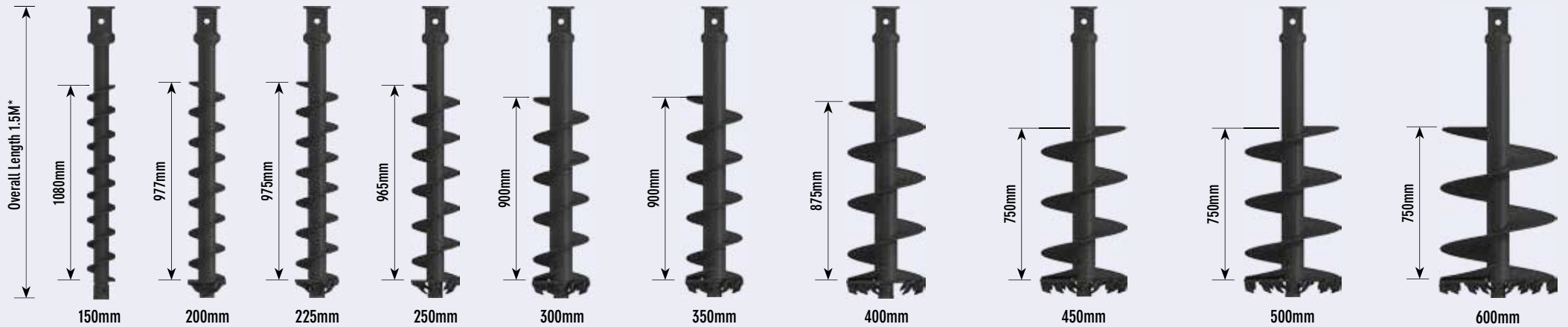
SHOCK LOCK™ Tooth Locking System

DON'T LEAVE
YOUR TEETH
DOWN THE
HOLE!



With our patented **Shock Lock™** Tooth Locking System tooth loss is now a thing of the past. Using the **Shock Lock™** pin and rubber insert in our unique **Shock Lock™** tooth holders ensures your Auger teeth are safely locked in place and protected against shock fractures.

Replacing worn teeth is a breeze with this system, simply knock out the old pin with a standard hole punch and the tooth will slide out of the holder with ease. Acclaimed as the best system on the market you will never need to worry about fitting spare teeth due to loss again.



Earth Drill **5500MAX**

Earth Drill **5000TC**

Earth Drill **7000MAX**

Earth Drill **7000TC**

Earth Drill **8000MAX**

EARTH WEAR PARTS



S5/6 Earth Pilot 33-9205-KIT
S5/6 Shock Lock™ Earth Tooth 33-9126-KIT

TUNGSTEN WEAR PARTS



S5/6 Tungsten Pilot 33-9206-KIT
S5/6 Shock Lock™ Tungsten Tooth 33-9127-KIT

ROCK WEAR PARTS



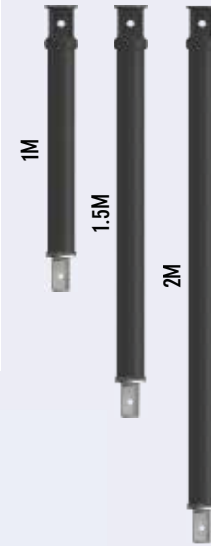
S5/6 Rock Pilot 33-9207-KIT
S5/6 Rock Tooth 33-9107

EXTRAS

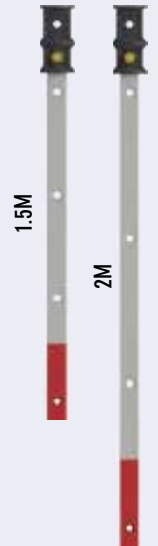


Pin & Clip 57/75 Square 30-0002-KIT
S5/6 Shock Lock™ Tooth Holder 33-1011
S5/6 Rock Tooth Holder 33-1013
S5/6 Drive Socket 1 3/4" Hex 33-4103

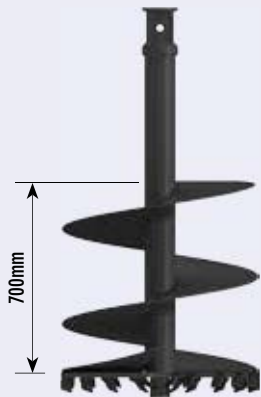
S5 EXTENSIONS



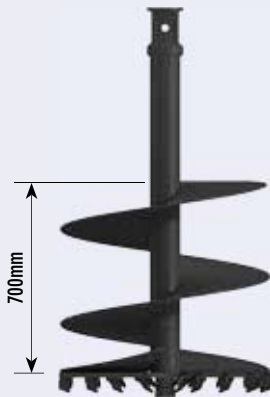
S5 TELESCOPIC



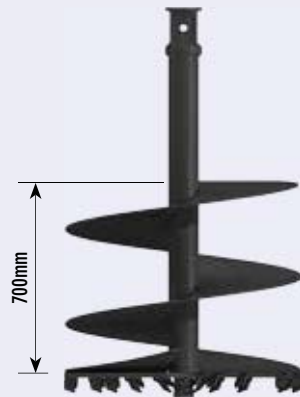
OTHER DIAMETERS AVAILABLE ON REQUEST



750mm



800mm



900mm



1M



1.2M

All the Augers above are shown with **Shock Lock™** Tooth Holders. Rock Teeth require a Rock Tooth version of the Auger.

* Overall Length given includes the auger fitted with wear parts.

Augers over 1m - special order up to 1.2m

Note: S5 Telescopic extensions only suitable for torques up to 16,000Nm.

S5 Telescopic extensions not suitable for 150 - 250mm diameter augers.

For Augers over 1 metre diameter please call our sales office for further information.

WEAR PARTS FOR GROUND CONDITIONS

EARTH (Shock Lock™)

Best suited to soft grounds like earth and clay.

TUNGSTEN (Shock Lock™)

Best used in dry, hard or medium ground conditions where floating rocks may be encountered. The perfect all-rounder if you are not sure about what you might encounter.

ROCK (Taper Lock)

For very hard ground and tarmac where extra cutting is needed and high wear is expected. Most effective on machines with high down pressure.

Alignment Monitor

Perfect for Auger and Screw Pile applications, the Auger Torque Alignment Monitor is the essential tool for ensuring your application is precise and quick.

Not restricted to parent machine size, the Alignment Monitor is easy to install. With universal mounting of both the alignment sensor and user display, the sensor is fixed to the top of your existing earth drill. The bright colour display is mounted inside the operators cab in a convenient location. Plug the power lead into the 12/24V power socket, and you're good to go.

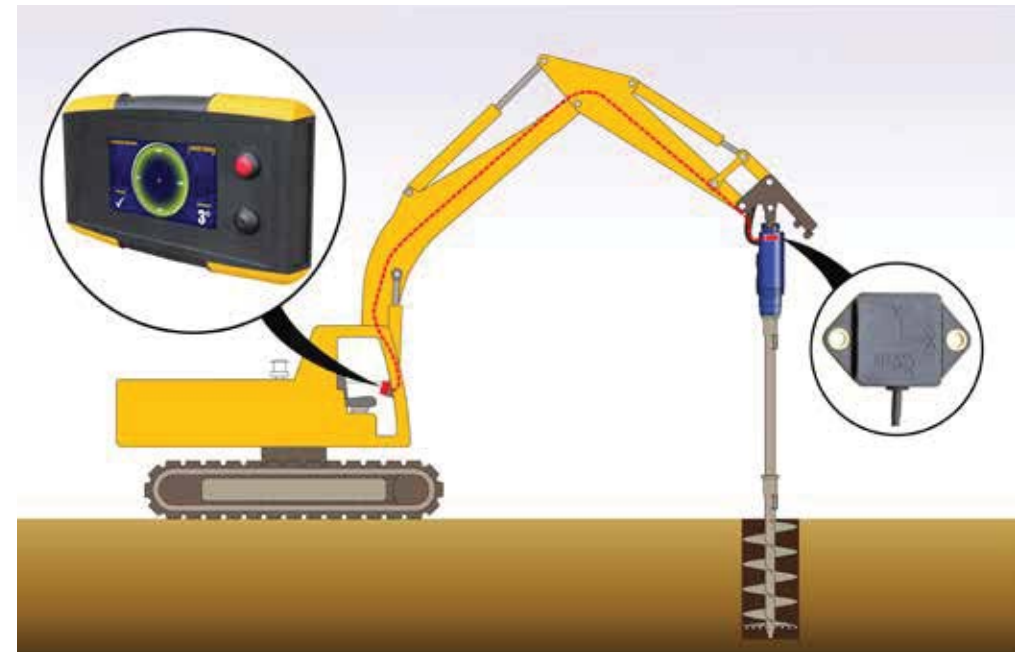
The Alignment Monitor has 4 sensitivity settings from 1 to 5° increments, allowing you to adjust to suit the application.

Now that the operator can see the alignment in all directions, there is no need for additional operatives. Perfectly aligned installations are now a one man operation.



FEATURES

- Plug and play capability
- Alignment display easily installed in operator cab
- A compact, bright colour interface
- Alignment sensor fits to your existing earth drill
- Sensitivity adjustment to suit the application
- IP54 rated - suitable for use in all weathers
- 12-24V operating range
- One man operation





YOUR NEAREST DEALER IS

Auger Torque Europe Region

Auger Torque Europe Ltd

Cheltenham - United Kingdom

Phone: +44 (0)1451 861 652 Fax: +44 (0)1451 861 660

Email: sales@augertorque.com

Products and specifications subject to change without prior notice.

Some products may not be available in your country or region.

AUGER TORQUE, SHOCK LOCK™, NDS™ and the AUGER TORQUE LOGO are trademarks of Auger Torque Europe Ltd © 2017 Auger Torque Europe Ltd. All Rights Reserved.

